

▶ POST PRESS

▶ MAIL ROOM

▶ BOOKBINDERY

A sharp solution

RS 820 - The Rotary Knife Trimmer

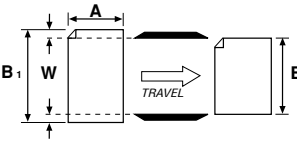


RIMA  SYSTEM

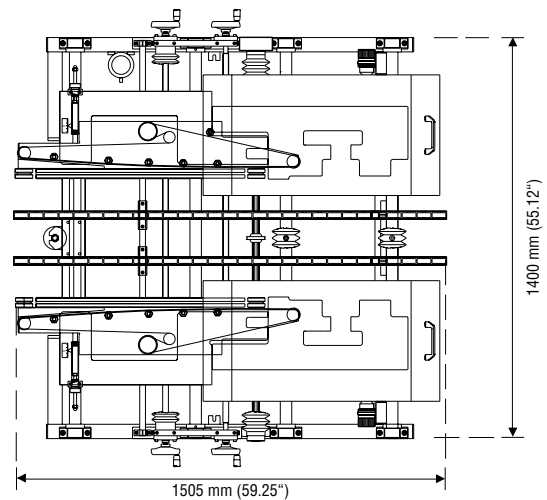
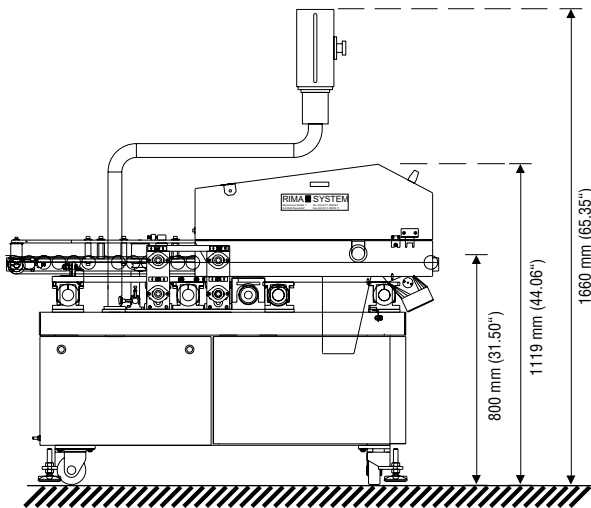
Requirements & Solutions

In-line or offline – the RS 820 is the ideal solution for head-, foot- or three-side trimming. Unique features like the infeed jogger with “Hexrator Technology”, “Integrated knife cooling” and “Zero-Gap Adjustment” guarantee a precise trim, a perfect run-out and maximum lifetime. “Multi Knife” and “Double Trim” Technology allows to choose between different sets of knives for ideal conditions in every application. Highest reliability, low knife prices and inexpensive resharpening minimize the operation costs.

Technical Data

Formats		Minimum	Maximum
	“A” Dimension	114 mm (4.49“)	530 mm (20.87“)
	“B1” Dimension	113 mm (4.45“) before 1-side trim 116 mm (4.57“) before 2-side trim	530 mm (20.87“) 530 mm (20.87“)
	Diagonal	limited by A & B	limited by A & B
Paper waste (product permitting)	“W” Dimension	3 mm (0.12“)	50 mm (1.97“)
Product width after trimming	“B2” Dimension	110 mm (4.33“) after 1-side trim 110 mm (4.33“) after 2-side trim	527 mm (20.75“) 524 mm (20.63“)
Product height	single product shingled stream	2 pages 2 pages	128 pages (max. 15 mm (0,6“)) 512 pages (max. 15 mm (0,6“))
Speed	adjustable		80 m/min (other on request)
Product orientation	spine leading, spine to the side, spine trailing (product permitting)		
Infeed/delivery height	800 mm (31.50“)		
Input power	400 V, 3 Ph, N, PE, 7kW		
Air requirement	pratically no consumption, 6 bar		
Options	Cold-set option, Multi Knife Technology, Double Trim Technology		

Technical specifications available on request. The manufacturer reserves the right to change the technical specifications without prior notice (RS 820-E-April08).



RIMA SYSTEM

www.rima-system.com

RIMA-SYSTEM Europe, Germany · Monschauer Str. 1, D - 40549 Düsseldorf · Telefon: +49 - 211 - 950090 · Telefax: +49 - 211 - 9500911 · info@rima-system.com
 RIMA-SYSTEM Corporate Office, USA · 5340 Argosy Drive · Huntington Beach, CA 92649 · Phone: +1 - 714 - 893 4534 · Fax: +1 - 714 - 892 7010 · rima@rimasystem.com
 RIMA-SYSTEM Atlanta LLC, USA · 2840 Johnson Ferry Road, Suite 250 · Marietta, GA 30062-8309 · Phone: +1 - 770 - 998 5622 · Fax: +1 - 770 - 998 5680 · postpress@rima-system.net
 RIMA-SYSTEM Far East Pte Ltd, Singapore · 11 Stamford Road, 3-10 Capitol Building · Singapore 178884 · Phone: +65 - 6 338 5580 · Fax: +65 - 6 338 5582 · rima@rimasystem.com.sg